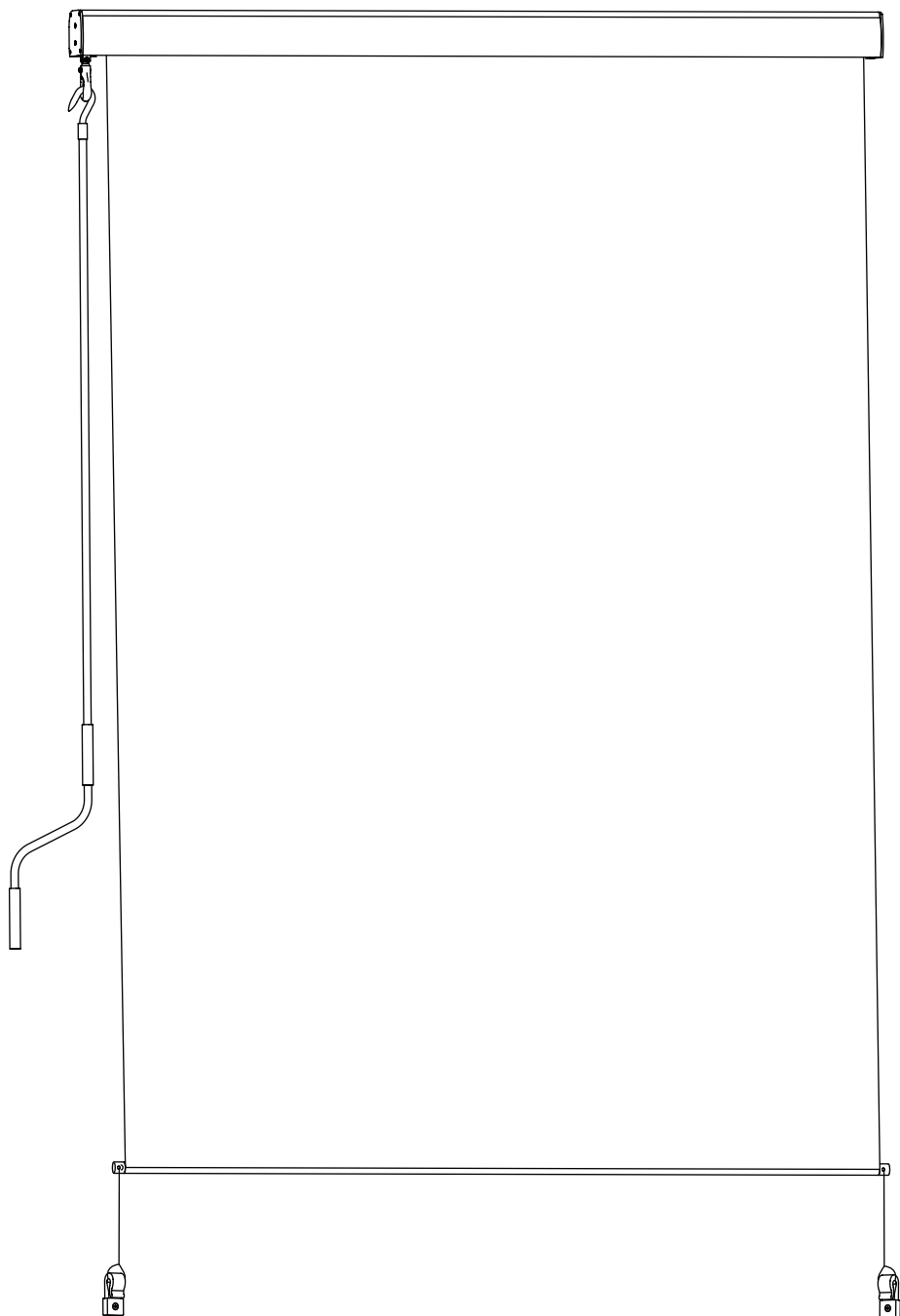




**SOLROYAL**  
*enjoy your home*

## Vertical Awning Sol Vision MS5

### Example Image of Completed Awning

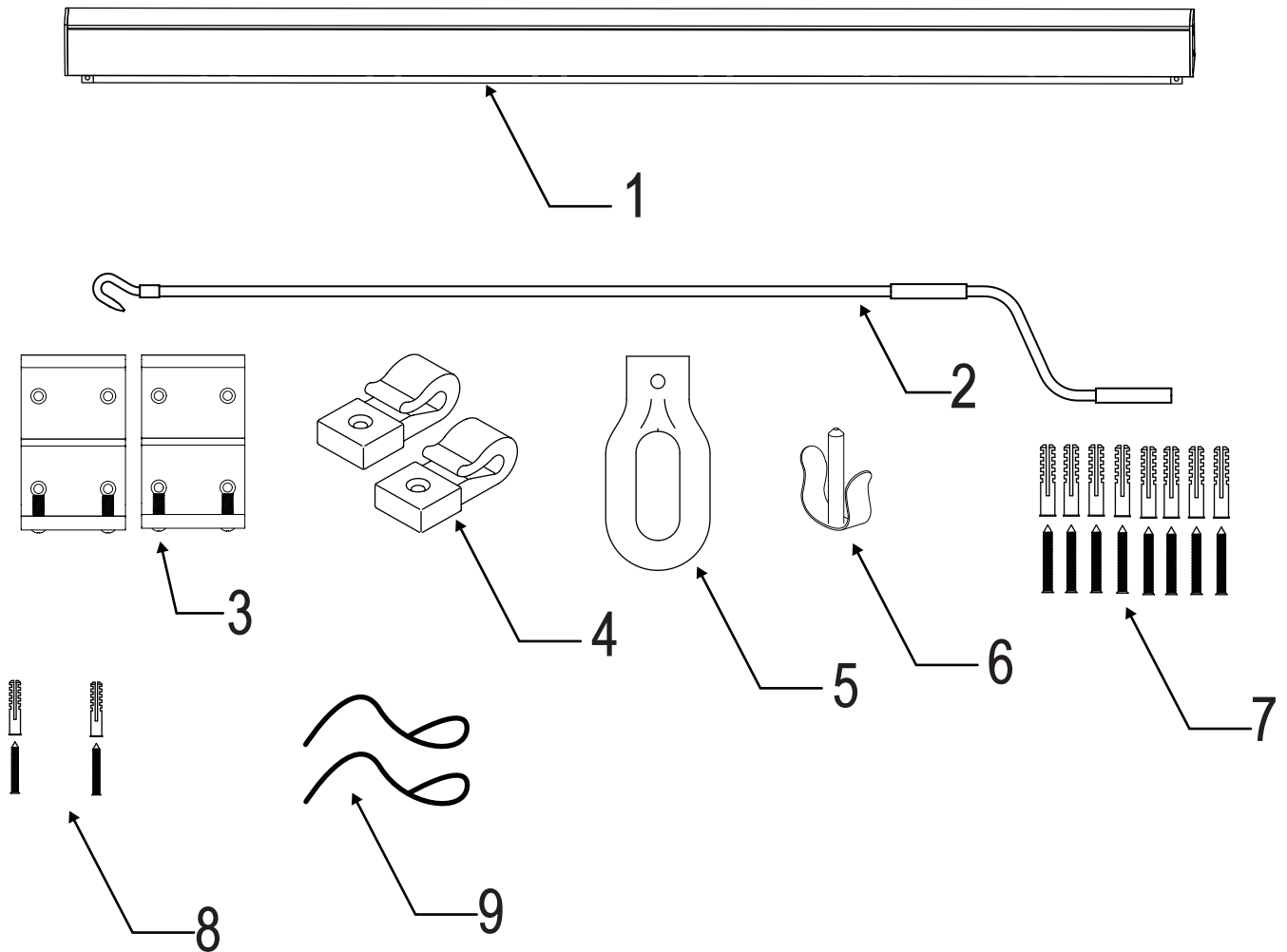


### Required Tools for Assembly

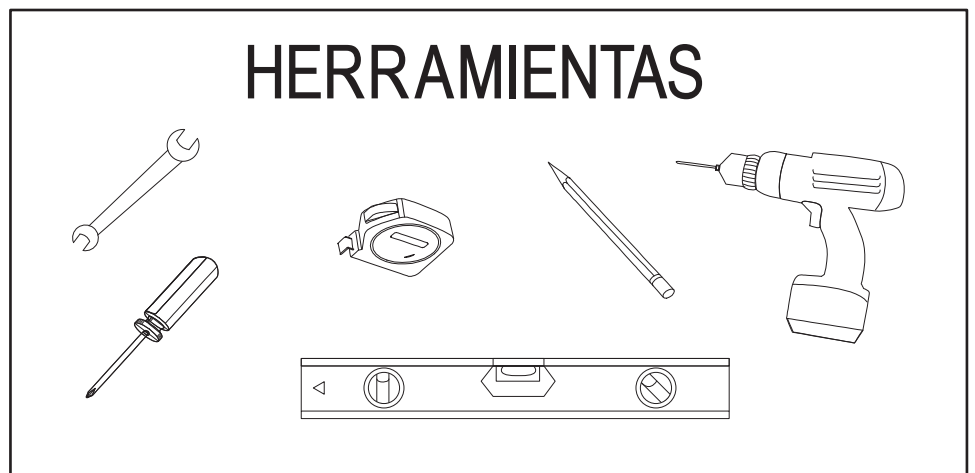
Tape measure  
Marker  
Phillips-head screwdriver  
Electric drill with 8mm bit  
Two ladders

Distributed by  
sellvin AG  
Robert-Bosch-Str. 4  
50354 Hürth - Germany

## Parts List



1. Cassette x1
2. Crank x1
3. Bracket x2
4. hook x2
5. Gearbox hook x1
6. Hook locking pin x1
7. Bolts for brackets x8
8. Bolts for hook x2
9. Elastic rope x2

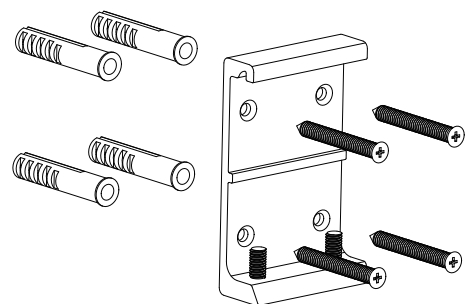
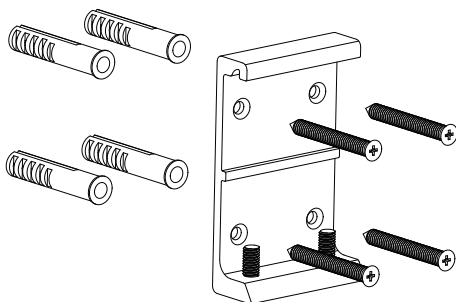
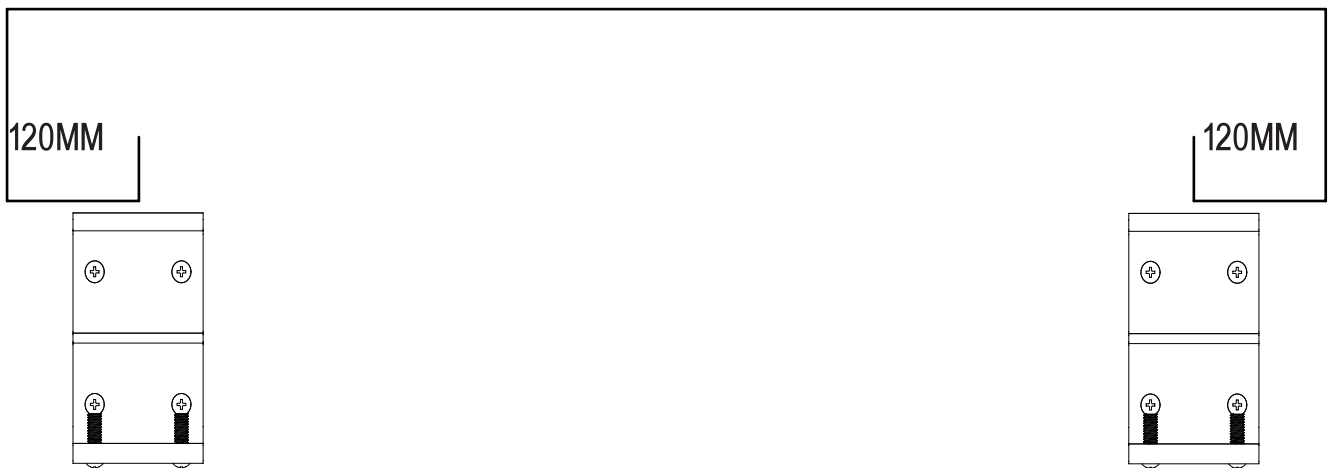


## Assembly Instructions

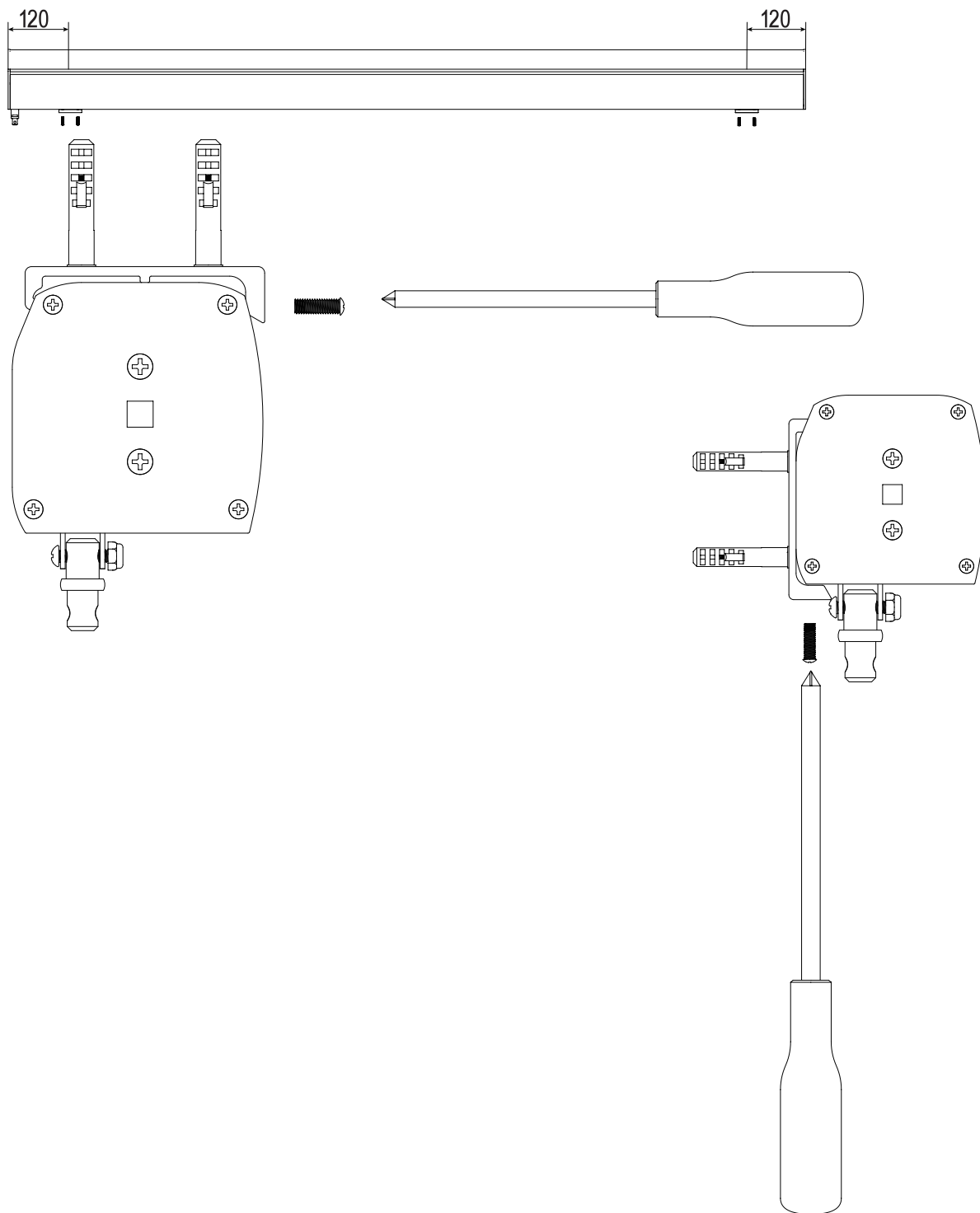
### ● wall/ceiling brackets fixing

- mark length of the awning on ceiling or wall where to fix the awning, we named them marker A .
- Move inside 120mm from each end markers and make another two markers, we named them marker B, where to be middle of two side brackets .
- Put wall/ceiling brackets at marker B, Marker B should be centre of the wall bracket, then mark on the wall/ceiling where brackets' hole be to drill the wall/ceiling.
- Follow the markers made by step C and drill on wall/ceiling then fix the brackets with expansion bolts.

1400/1600MM

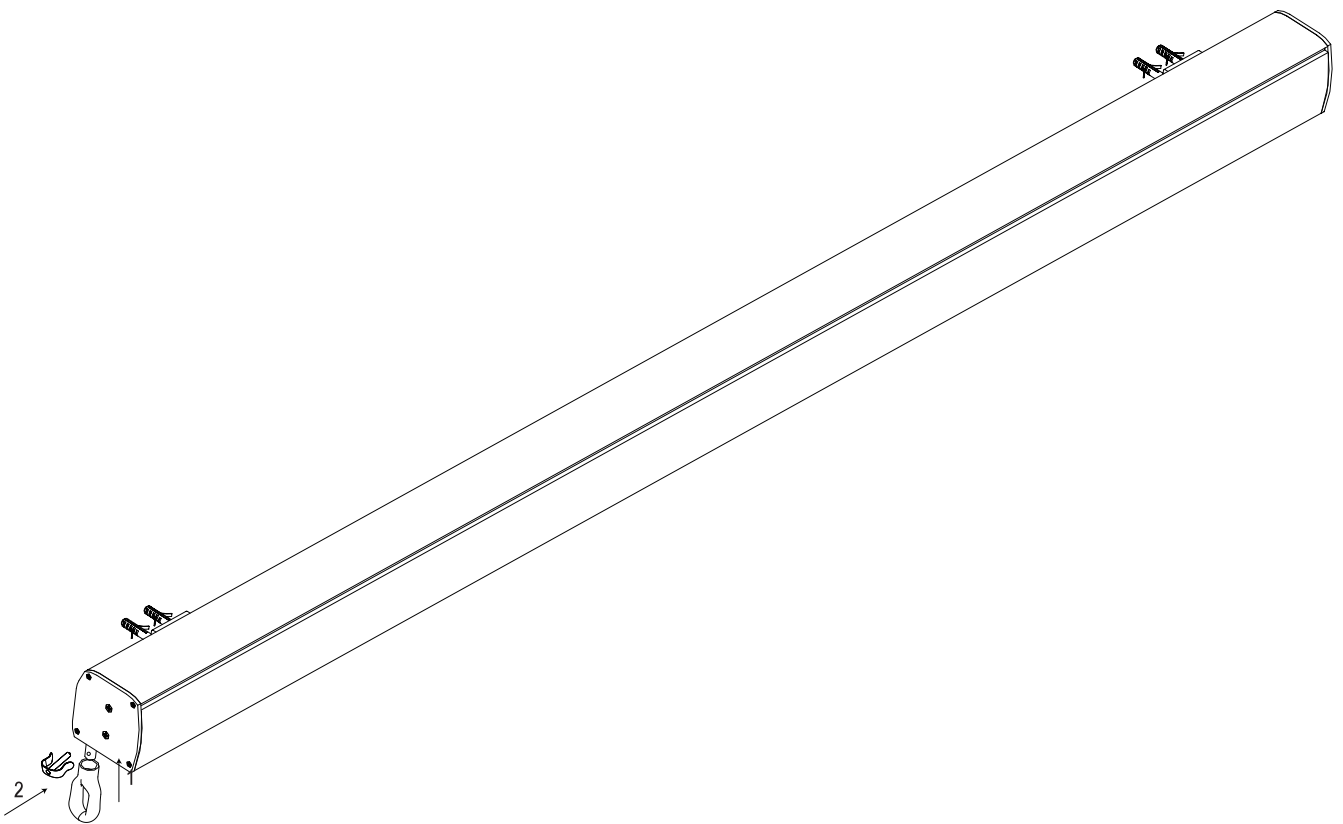


- fit awning on wall/ceiling brackets
  - a. fit awning at brackets first
  - b. Tighten the embedded screws on the wall/ceiling brackets.



● gearbox hook fixing

- a. Connect the hook to gearbox and be sure the holes on each part be same position
- b. Lock the hook with hook locking ring.

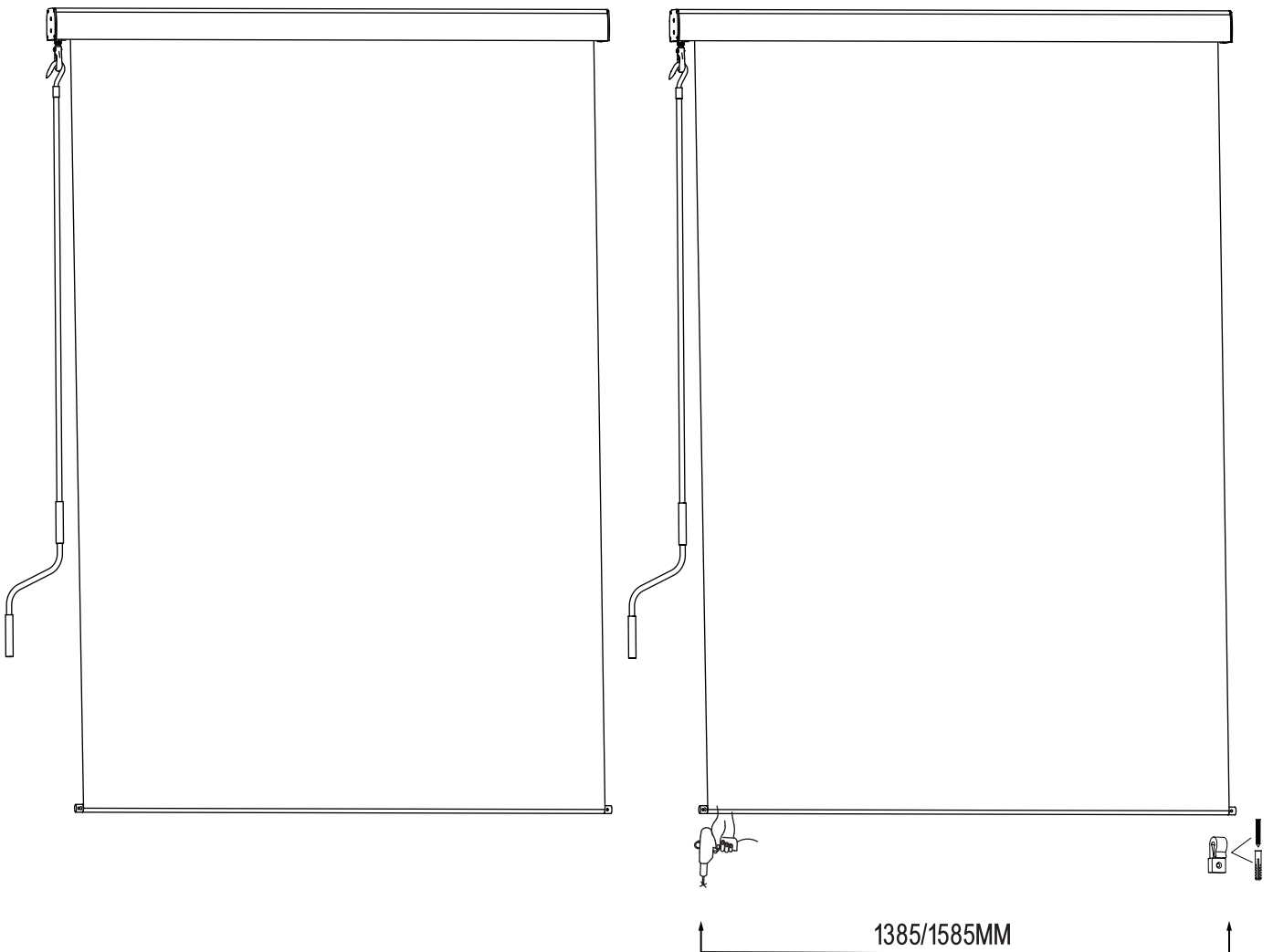


● Fixing spring brackets

a.open the awning fully by crank

b.mark spring bracket (4) position, should be same line with the spring dropped

c.the drill hole and fix strip bracket (4) on the wall。



1400MM	1385MM
1600MM	1585MM

